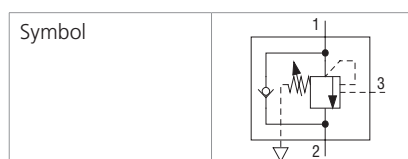
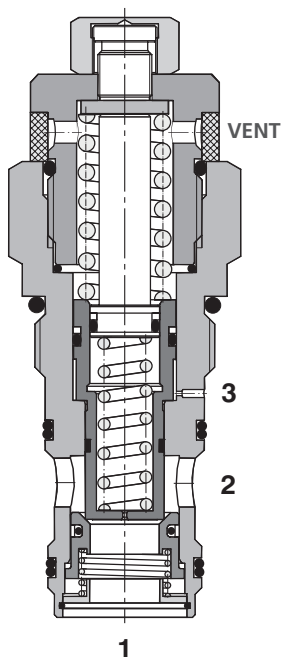


**Technical Features**

- › The valve prevents runaway ahead of the pump in the event of a negative load
- › Load-holding with leak-free closing poppet when directional valve is in neutral position
- › Pressure relief function protecting the actuator against overload and pressure peaks
- › Integrated check valve acting as an anti-cavitation valve
- › When installed into an actuator the valve can be used as a hose burst valve
- › Back pressure neither affects the relief setting nor the required pilot pressure
- › In the standard version, the valve is zinc-coated for 240 h protection acc. to ISO 9227

**Functional Description**

Poppet-type, screw-in motion control valve designed to control the runaway of a negative load. The built-in check valve allows reverse flow into the actuator, which is protected by the internal pressure relief function. Back pressure at port 2 does neither affect the pressure relief setting nor the required pilot pressure.



**Technical Data**

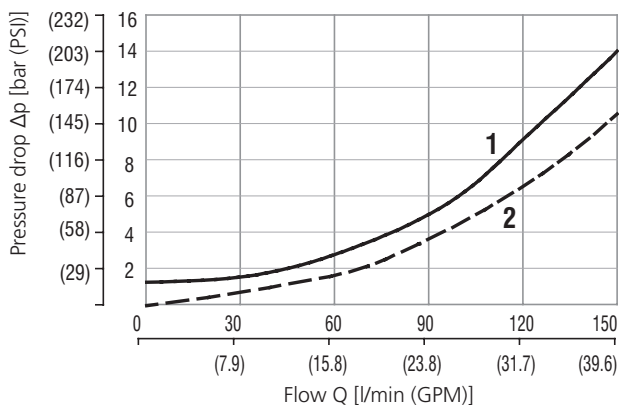
Valve size / Cartridge cavity		1-5/16-12 UNF-2A / S3
Max. flow	l/min (GPM)	120 (31.7)
Max. load induced pressure	bar (PSI)	270 (3920)
Max. operating pressure	bar (PSI)	350 (5080)
Fluid temperature range	°C (°F)	-20 .... +90 (-4 ... +194)
Pilot ratio		3:1
Mass	kg (lbs)	0.59 (1.30)

	Datasheet	Type
General information	GI_0060	Products and operating conditions
Valve bodies	In-line mounted SB_0018	SB-S3*
Cavity details / Form tools	SMT_0019	SMT-S3*
Spare parts	SP_8010	

**Characteristics** measured at  $v = 40 \text{ mm}^2/\text{s}$  (195 SUS)

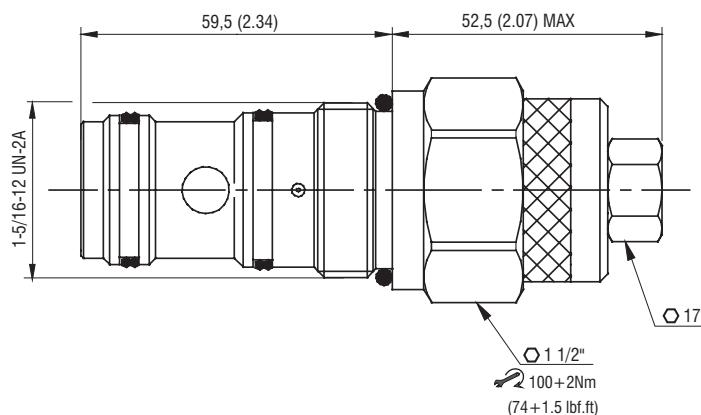
**Pressure drop related to flow rate**

Pilot ratio 3:1



Flow	
1	free flow (2→1)
2	pilot open (1→2)

**Dimensions** in millimeters (inches)



**Ordering Code**

**SOB5A-S3 / I**  -   -

**Overcenter Valve, fully Balanced, atmospheric vent**  
1-5/16-12 UNF

**Surface treatment**  
A zinc-coated (ZnCr-3), ISO 9227 (240 h)

**Pilot ratio**  
standard 3:1 3

**Pressure range**  
up to 350 bar (5080 PSI) 35

**No designation**  
V

**Seals**  
NBR  
FPM (Viton)