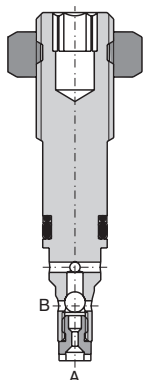


Needle - Restrictor Valve with Reverse Flow Check, Fine Adjustable

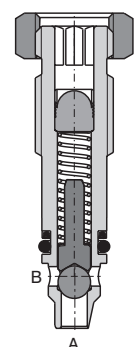
VSV2

M12x1 • Q_{max} 20 l/min (5 GPM) • p_{max} 320 bar (4600 PSI)

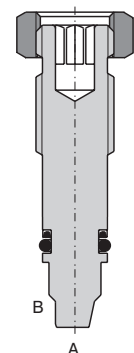
VSV2-QC2/J2



VSV2-QC2/J1



VSV2-QC2/1



Technical Features

- › Reverse flow check option
- › Hardened precision parts
- › Fine low-torque adjustment
- › Linear adjustment and positive seat overlap
- › Optionally adjustable by allen key or hand screw
- › Desired settings may be locked down
- › In the standard version, the valve is zinc-coated for 240 h protection acc. to ISO 9227

Functional Description

A hydraulic flow restrictor valve in the form of a screw-in cartridge with an optional by-pass check valve. After loosening the lock nut the valve may be unscrewed up to the red marked safety notch. Beyond the marking, the valve may get completely unscrewed, leading to leakage.

Model Code	VSV2-QC2/1	VSV2-QC2/J1	VSV2-QC2/J2
Symbol			

Technical Data

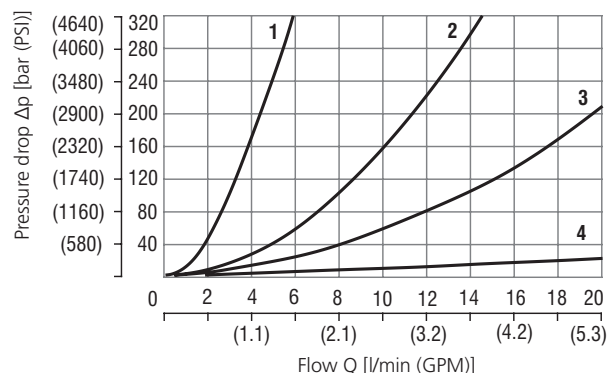
Valve size / Cartridge cavity		M12x1 / QC2
Max. flow	l/min (GPM)	20 (5.3)
Max. operating pressure	bar (PSI)	320 (4640)
Fluid temperature range (NBR)	°C (°F)	-30 ... +100 (-22 ... +212)
Mass	kg (lbs)	0.11 (0.24)

	Datasheet	Type
General information	GI_0060	Products and operating conditions
Cavity details	SMT_0019	SMT-QC2*
Spare parts	SP_8010	

Characteristics measured at $v = 32 \text{ mm}^2/\text{s}$ (156 SUS)

Pressure drop related to flow rate

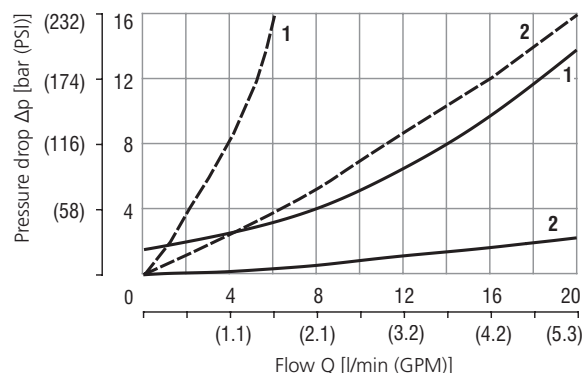
Flow direction B→A VSV2-QC2/1, VSV2-QC2/J1
Flow direction A→B VSV2-QC2/1, VSV2-QC2/J2



Number of turns of the adjustment screw			
1	2	3	4

Pressure drop related to flow rate

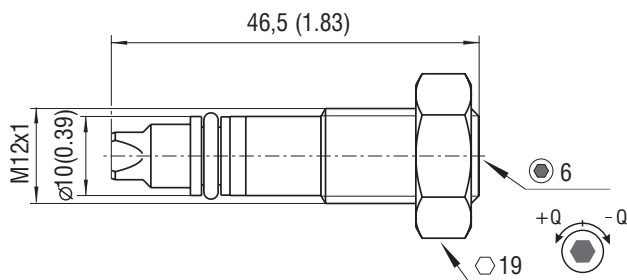
Flow direction A→B (free flow) VSV2-QC2/J1 ———
Flow direction B→A VSV2-QC2/J2 - - - - -



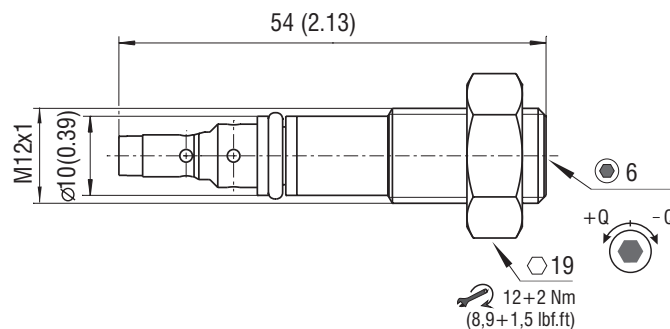
Throttle valve closed	Throttle valve opened
1	2

Dimensions in millimeters (inches)

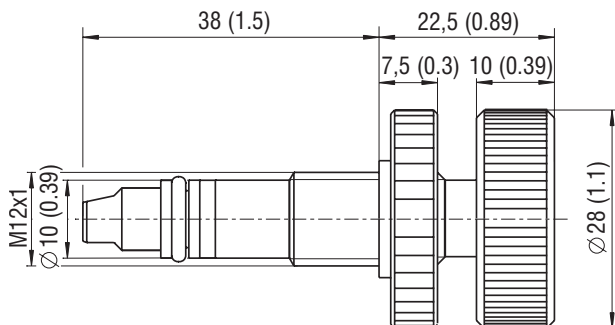
Models S: VSV2-QC2/1, VSV2-QC2/J1



Model S: VSV2-QC2/J2



Model RS: VSV2-QC2/1, VSV2-QC2/J1, VSV2-QC2/J2



Ordering Code

VSV2 - QC2 / -

Needle - restrictor valve with reverse flow check, fine adjustable

M12x1

Model

without check valve
with check valve, unregulated flow A → B
with check valve, unregulated flow B → A

1
J1
J2

Surface treatment
No designation without surface treatment
A zinc-coated (ZnCr-3), ISO 9227 (240h)
B zinc-coated (ZnNi), ISO 9227 (520h)

No designation

Seals
NBR

Adjustment option
S allen key (hex. 6), without protective cap
RS hand screw, metal