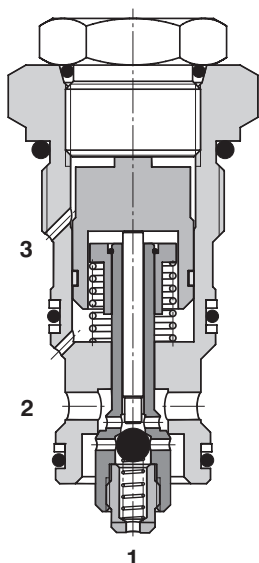


Check Valve, Poppet-type, Pilot to Open, with Decompression Stage

SCD5H-R3/I

M27x1.5 • Q_{max} 90 l/min (24 GPM) • p_{max} 350 bar (5100 PSI)

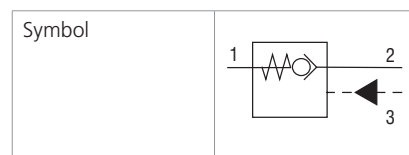


Technical Features

- › Hardened precision parts
- › Sharp-edged steel seats for dirt-tolerant performance
- › Leak-free closing, suitable for fast cycling with long life
- › High flow capacity
- › Integrated decompression stage
- › Optional sealed piston
- › In the standard version, the valve is zinc-coated for 240 h protection acc. to ISO 9227

Functional Description

The valve allows flow to pass from port 2 to 1 while under load normally inhibiting flow from 1 to 2. When pressure is applied at port 3, flow passes from port 1 to 2. The cartridge valve has a pilot ratio of 3:1, meaning at least one third of the load pressure must be applied at port 3 to open the valve. The valve includes a decompression stage with pilot ratio of 25:1 to reduce hydraulic shocks. The check valve is spring closed to secure the holding position in static conditions and without load.



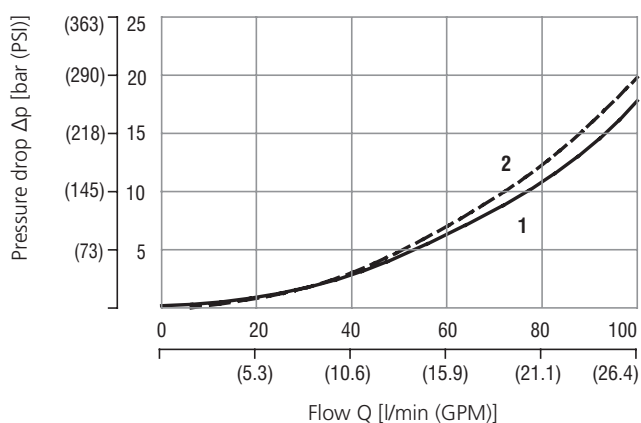
Technical Data

Valve size / Cartridge cavity		M27x1.5 / R3
Max. flow	l/min (GPM)	90 (23.8)
Max. operating pressure	bar (PSI)	350 (5080)
Pilot ratio decompression		25:1
Pilot ratio full flow		3:1
Fluid temperature range (NBR)	°C (°F)	-20 +90 (-4 ... +194)
Mass	kg (lbs)	0.24 (0.53)

	Datasheet	Type
General information	GI_0060	Products and operating conditions
Valve bodies	In-line mounted	SB-R3*
Cavity details	SMT_0019	SMT-R3*
Spare parts	SP_8010	

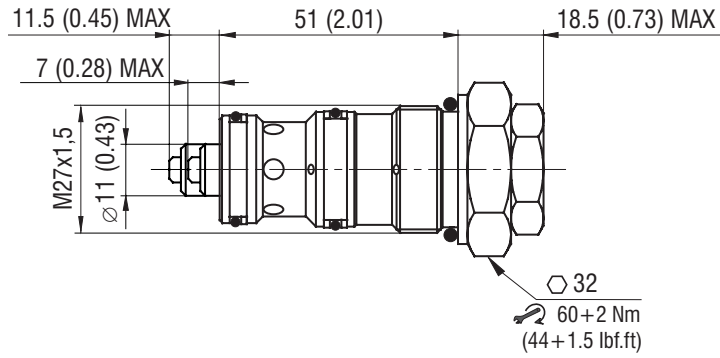
Characteristics measured at $v = 40 \text{ mm}^2/\text{s}$ (195 SUS)

Pressure drop related to flow rate



1	free flow (2→1)
2	pilot open (1→2)

Dimensions in millimeters (inches)



Ordering Code

