

Check Valve, Poppet-type, Pilot to Close

SCC5H-S3/I

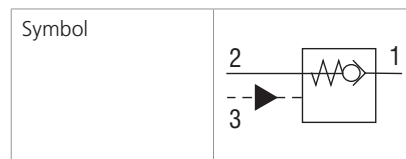
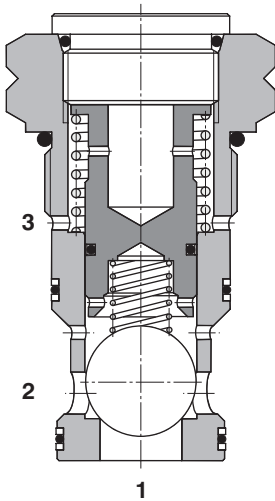
1-5/16-12 UNF • Q_{max} 120 l/min (32 GPM) • p_{max} 350 bar (5100 PSI)

Technical Features

- › Hardened precision parts
- › Sharp-edged steel seats for dirt-tolerant performance
- › Leak-free closing, suitable for fast cycling with long life
- › High flow capacity
- › In the standard version, the valve is zinc-coated for 240 h protection acc. to ISO 9227

Functional Description

The valve allows flow to pass from port 1 to 2 while normally inhibiting flow from 2 to 1 under load. When pressure is applied at port 3, the poppet locks the ball valve in place, inhibiting flow from port 1 to 2. The cartridge valve has a 2:1 pilot ratio. The check valve is spring closed to secure the holding position in static conditions and without load.



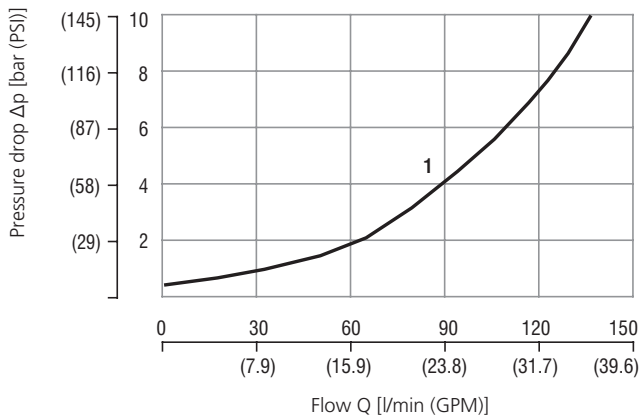
Technical Data

Valve size / Cartridge cavity		1-5/16-12 UNF-2A / S3
Max. flow	l/min (GPM)	120 (31.7)
Max. operating pressure	bar (PSI)	350 (5080)
Pilot ratio		2:1
Fluid temperature range (NBR)	°C (°F)	-20 ... +90 (-4 ... +194)
Mass	kg (lbs)	0.28 (0.62)

		Datasheet	Type
General information		GI_0060	Products and operating conditions
Valve bodies	In-line mounted	SB_0018	SB-S3*
Cavity details		SMT_0019	SMT-S3*
Spare parts		SP_8010	

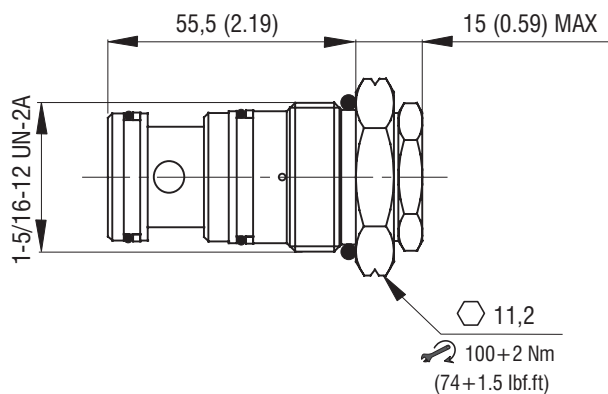
Characteristics measured at $v = 40 \text{ mm}^2/\text{s}$ (195 SUS)

Pressure drop related to flow rate



1	Free flow (1→2)
---	-----------------

Dimensions in millimeters (inches)



Ordering Code

SCC5H-S3/I 2 -

Check valve, pilot to close
poppet-type 1-5/16-12 UNF

Surface treatment
A zinc-coated (ZnCr-3), ISO 9227 (240 h)

Pilot ratio
standard

2:1

No designation

Seals
NBR