

Check Valve, Poppet-type, Pilot to Open

**SC5H-S3/I**

1-5/16-12 UNF •  $Q_{max}$  120 l/min (32 GPM) •  $p_{max}$  350 bar (5100 PSI)

**Technical Features**

- › Hardened precision parts
- › Sharp-edged steel seats for dirt-tolerant performance
- › Leak-free closing, suitable for fast cycling with long life
- › High flow capacity
- › Optional external pilot port
- › Optional sealed piston
- › In the standard version, the valve is zinc-coated for 240 h protection acc. to ISO 9227

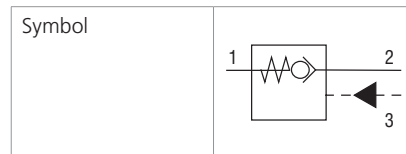
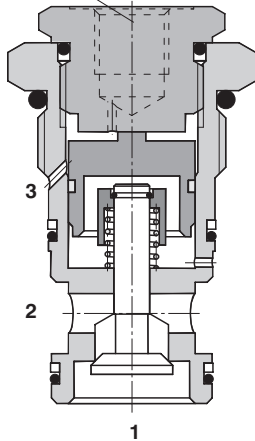
**Functional Description**

The valve allows flow to pass from port 2 to 1 while under load normally inhibiting flow from 1 to 2.

When pressure is applied at port 3, flow passes from port 1 to 2.

The cartridge valve has a pilot ratio of 3:1, meaning at least one third of the load pressure must be applied at port 3 to open the valve. The check valve is spring closed to secure the holding position in static conditions and without load.

Optional External Pilot Port



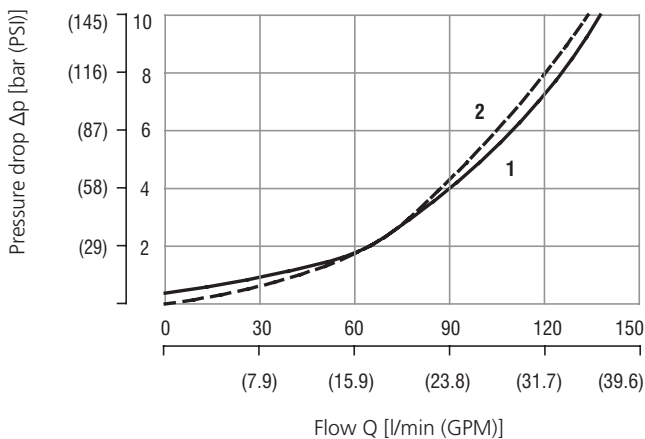
**Technical Data**

Valve size / Cartridge cavity		1-5/16-12 UNF-2A / S3
Max. flow	l/min (GPM)	120 (31.7)
Max. operating pressure	bar (PSI)	350 (5080)
Pilot ratio		3:1
Fluid temperature range (NBR)	°C (°F)	-20 .... +90 (-4 ... +194)
Mass	kg (lbs)	0.28 (0.62)

		Datasheet	Type
General information		GI_0060	Products and operating conditions
Valve bodies	In-line mounted	SB_0018	SB-S3*
Cavity details		SMT_0019	SMT-S3*
Spare parts		SP_8010	

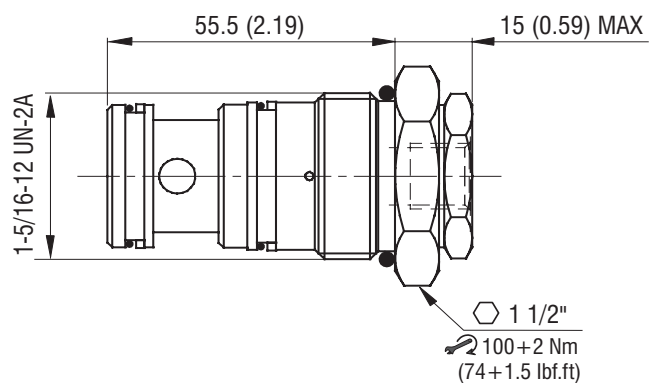
**Characteristics** measured at  $v = 40 \text{ mm}^2/\text{s}$  (195 SUS)

**Pressure drop related to flow rate**



1	free flow (2→1)
2	pilot open (1→2)

**Dimensions** in millimeters (inches)



**Ordering Code**

